



PRODUCT DATA

XDS35i Dry Vacuum Pump

COMPLETELY DRY, LUBRICANT FREE VACUUM PUMP WITH VAPOUR HANDLING

Part of the family of the BOC Edwards XDS Dry pump, the XDS35i provides a clean, dry vacuum, totally free of lubricants for non-hazardous applications. The bearings are isolated from the vacuum environment by a patented bearing shield. Uniquely, there are no bearings, grease or oil under vacuum and no bearing purge is required. Controllable gas ballast is standard and makes the XDS35i suitable for pumping vapours. Even small quantities of condensed liquid are easily handled without problems.

The versatile XDS35i uses a scroll mechanism manufactured by BOC Edwards, the market leader in dry pumping products and technology. The pump is driven from a single phase power with an onboard inverter to control the motor speed. This provides the user with constant pumping speed anywhere in the world. Power consumption is very low and typically no other utilities are required. Closed loop temperature monitoring provides protection in high ambient conditions.

The XDS35i is truly user serviceable. With no oil to change and dispose of, annual maintenance can be completed typically in about 20 minutes without special tools.

Features & Benefits

- Totally dry, lubricant free vacuum
 - No oils or greases of any kind giving cleaner, more repeatable processes with less servicing
 - No bearing or shaft seals in vacuum, no bearing purges required
- Peak pumping speed of 35 m³/h on 50 or 60Hz supply
- One model with world-wide voltage compatibility
 - 100 to 120V 50/60Hz
 - 200 to 230V 50/60Hz
- Ultimate pressure 0.01mbar (8mTorr)
- 3 position gas ballast selector allows handling of >200 g/h water vapour

TECHNICAL DATA - XDS35i

SPECIFICATIONS

- Inlet connection
- Exhaust connection
- Power at ultimate
- Noise level
- Water vapour handling GB1
- Water vapour handling GB2
- Vibration

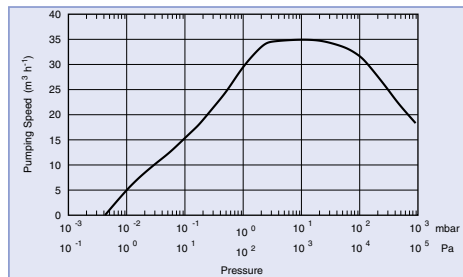
NW40
NW25
<600W
60 dBA
70g/h
240g/h
<4.5mm/s

- Displacement (swept volume)
- Peak pumping speed
- Ultimate vacuum (total pressure)
- Mass
- Operating temperature
- Storage temperature
- Leak tightness (static)
- Electrical supply voltage

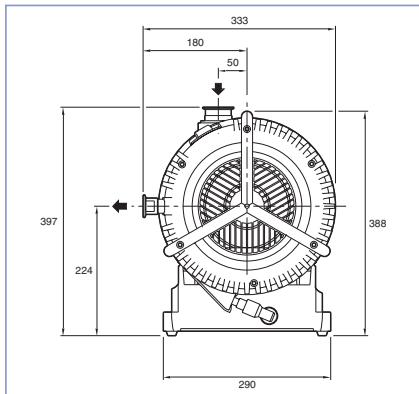
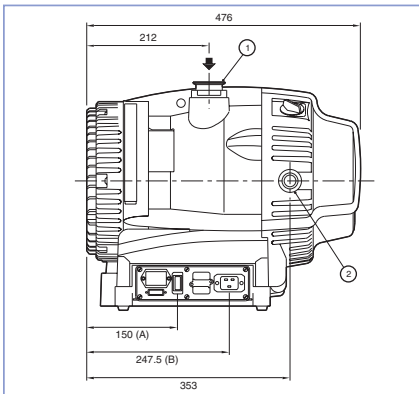
Europe
43 m³/h
35 m³/h
0.010 mbar
48 kg
10 to 40°C
-30 to 70°C
<10⁻⁶ mbar.l/s
200 to 230V 50/60Hz

USA
25 cfm
21 cfm
0.008 Torr
105 lbs
50 to 104°F
-22 to 158°F
<7x10⁻⁷ Torr.l/s
100 to 120V 50/60Hz

PUMPING PERFORMANCE CURVE



DIMENSIONS (mm)



- A CENTRE LINE OF ON/OFF SWITCH
- B CENTRE LINE OF PHASE SOCKET
- 1 INLET FLANGE NW40
- 2 OUTLET PORT NW25

ORDERING INFORMATION

Product Description

XDS35i world-wide voltage
Choose a suitable cable for your territory.
UK
Europe
USA

Accessory
Exhaust silencer

Part Number

A730-01-983

A505-05-003
A505-06-003
A505-07-003

A505-97-001

EUROPE

Crawley, UK +(44) 1293 528844
Brussels, BELGIUM +(32) 2 363 0030
Paris, FRANCE +(33) 1 47 98 24 01
Munich, GERMANY +(49) 89 99 19 18 0
Milan, ITALY +(39) 02 48 4471

ISRAEL

Qiryat Gat +(972) 8 681 0633

INDIA

New Delhi +(91) 11 851 0065

BRAZIL

Sao Paulo +(55) 11 3952 5000

USA

Wilmington, MA +(1) 978 658 5410
Toll free (USA only) 1800 848 9800
Santa Clara, CA +(1) 408 496 1177
Tempe, AZ +(1) 602 777 7007
Austin, TX +(1) 512 491 6622

CANADA

Misissauga +(1) 905 501 2558

ASIA PACIFIC

Shanghai, CHINA +(86) 21 5866 7558
Tianjin, CHINA +(86) 22 2834 1981
Toufen Town, TAIWAN R.O.C. +(886) 37 611 422
Singapore +(65) 546 8408

KOREA

Bundang +(82) 31 716 7070

JAPAN

Tokyo (Vacuum/Abatement) +(81) 3 5470 6530
Tokyo (Electronic Gases) +(81) 3 3434 6789
Osaka +(81) 6 384 7052
Kyushu +(81) 96 326 7300
Sendai +(81) 22 373 8525

Visit the BOC Edwards website at:
www.bocedwards.com

Or email us at:
info@bocedwards.com

Visit our other websites at:
www.XpertFabServices.com
www.SemiServe.com

BOC EDWARDS

BOC Edwards is a trading name used by affiliate companies of The BOC Group plc.
The stripe symbol is a trademark of The BOC Group plc
© BOC Edwards 2002

Publication No. A730-01-895